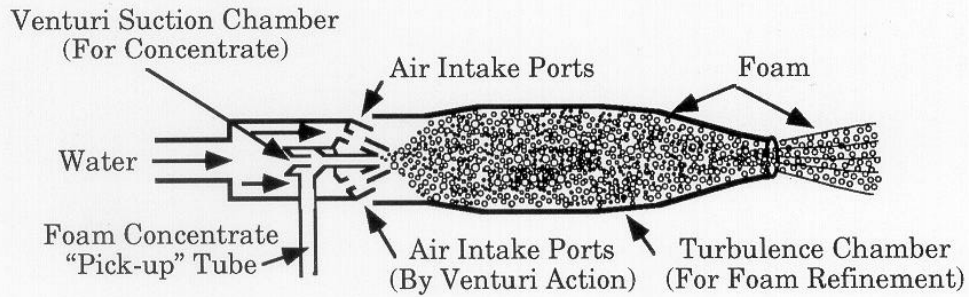
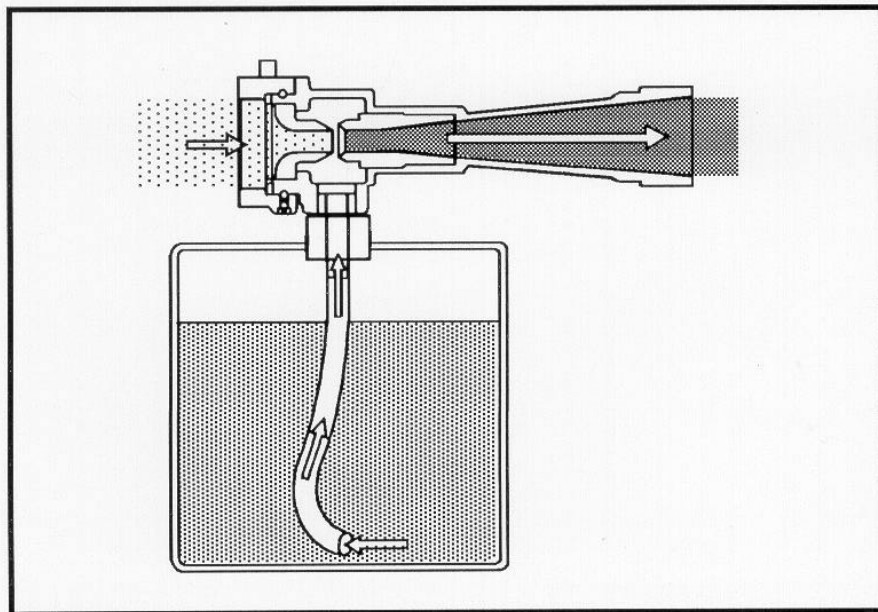


FOAM-NOZZLE EDUCTOR

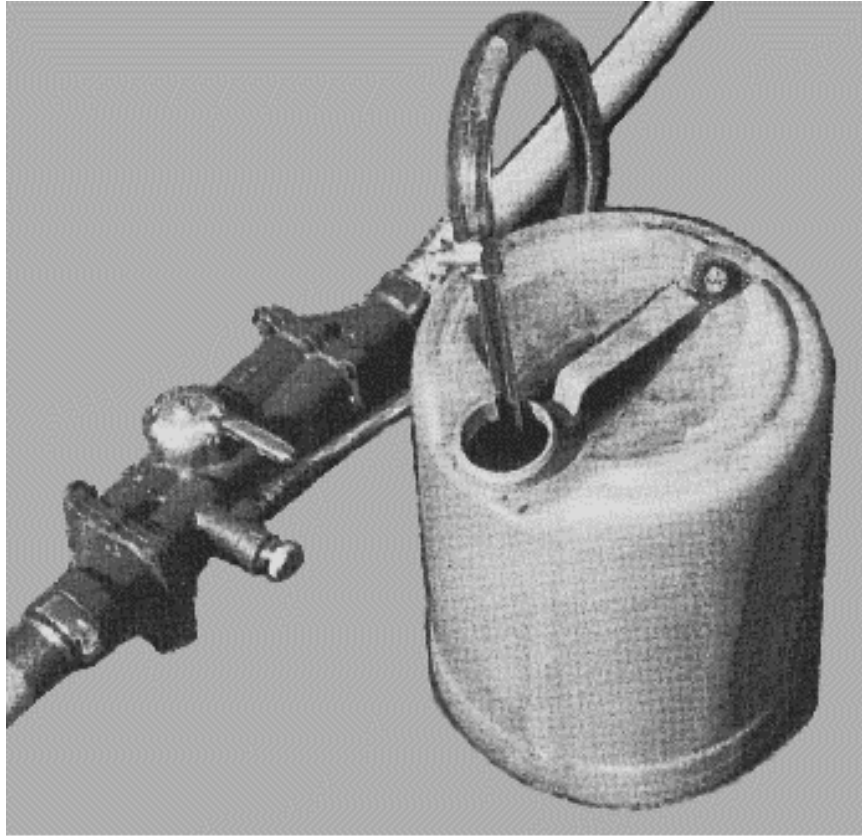


Cross section of an aspirating foam maker with a concentrate pickup tube.

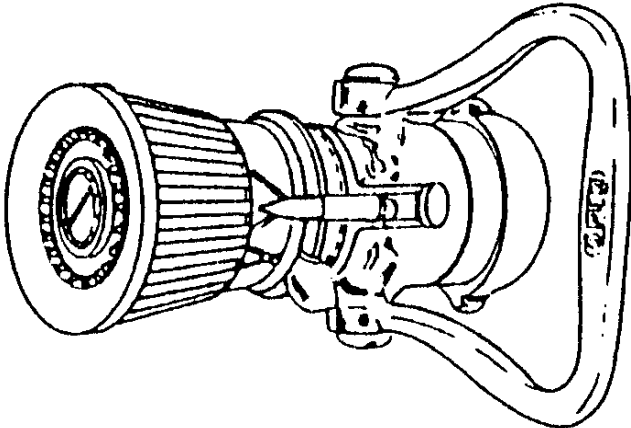
IN-LINE EDUCTOR



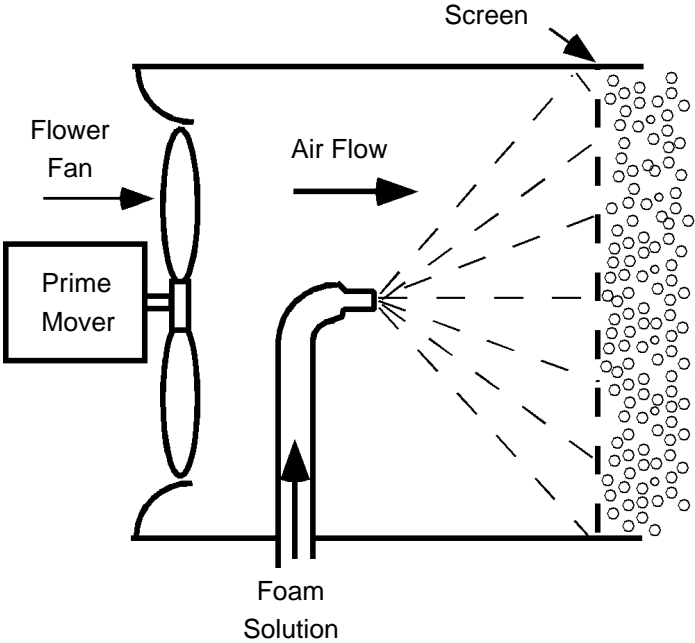
An eductor is a portable proportioning device that injects a liquid, such as foam concentrate, into the water that flows through a hoseline. An in-line eductor can be placed anywhere along a hoseline, but the length of hose between the eductor and the nozzle is limited by individual design.



In-line foam eductor in foam position.



Variable pattern water fog nozzle foam maker for use with AFFF.



A fan-blower high expansion foam generator.