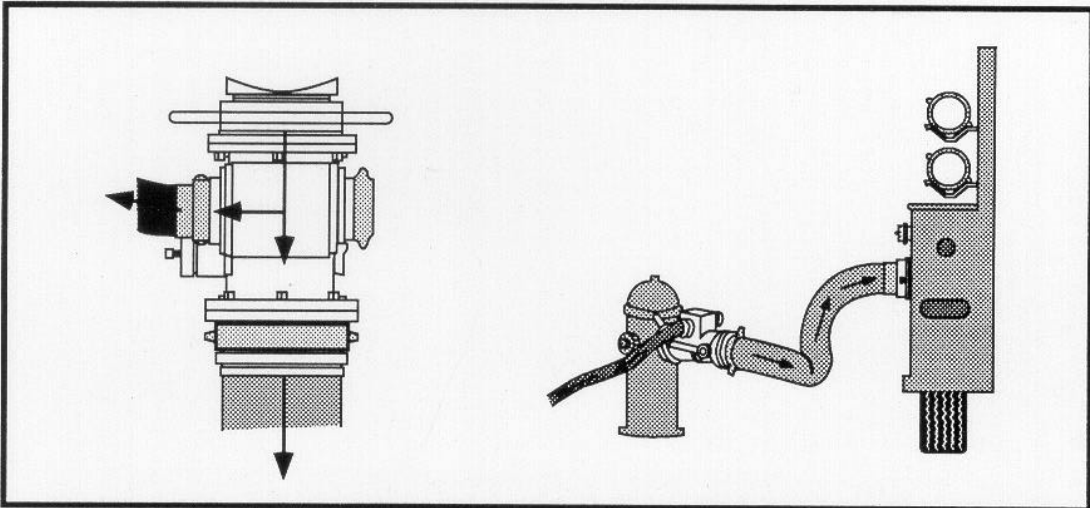
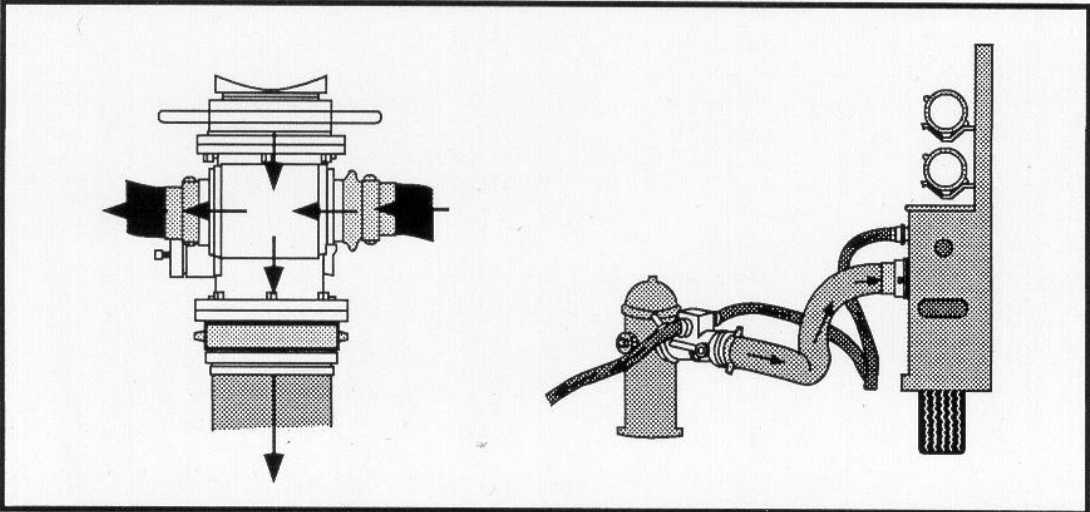


The first engine connects the four-way valve to the hydrant and lays an unsupported supply line to the fire. When the hydrant is opened, water flows through the valve to the attack engine.



The second engine connects to the 4-1/2 inch male on the valve and opens the valve. Water is now flowing to both engines.



The second connects to the hydrant valve 2-1/2 inch inlet (opens the valve waterway if necessary) and begins pumping through the supply line.